

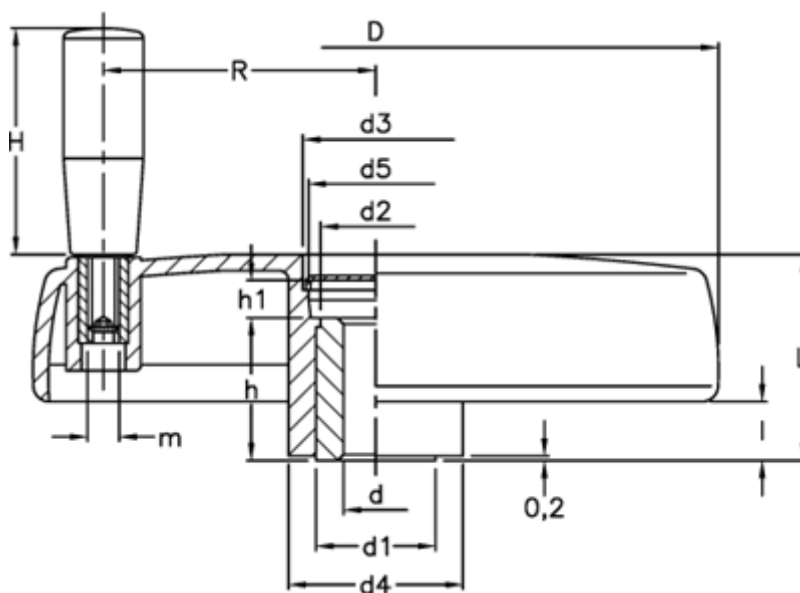
# Data Sheet



Article number: 2301072651

Description: E+G Handwheel  
VDS.80+I-A8

## Measures



|              |           |
|--------------|-----------|
| C (N m) = 34 | H = 40    |
| D = 83       | h = 17    |
| d1 = 18      | h1 = 8    |
| d2 = 16.0    | l = 9     |
| d3 = 21.0    | L = 29    |
| d4 = 26      | L (J) = 6 |
| d5 = 19      | m = M6    |
| d H7 = 8     | R = 30.5  |